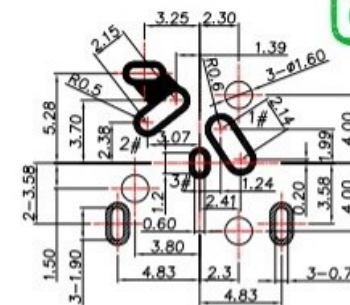
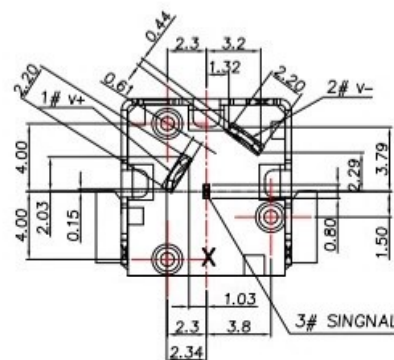
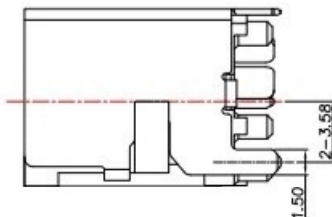
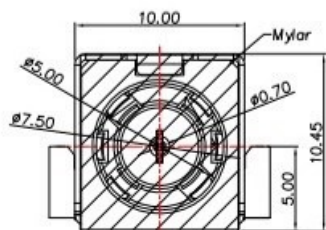


REFERENCE DRAWING (PLUG)



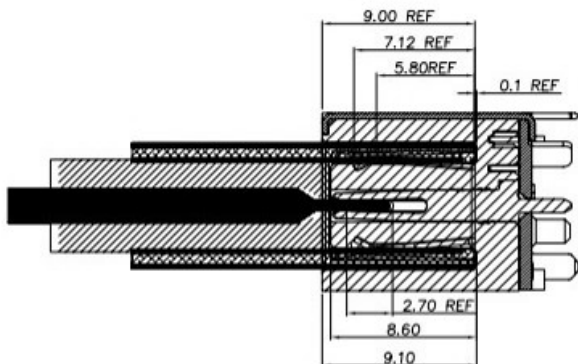
P.C.B LAYOUT TOP VIEW



SCHEMATIC	
○	2# v-
○	1# v+
○	3# SINGNAL

SPECIFICATION

1. Rating : DC 30V, 5.0A
2. Contact resistance : $\leq 30m\Omega$
3. Insulation resistance : $\geq 100M\Omega$
4. Withstand voltage : 150VAC
5. Insertion and extraction force : 7-30N
6. life test : 5,000 cycles



NO.	DESCRIPTION	QTY	MATERIAL	PLATING
⑥	MYLAR	1	PET	
⑤	HOUSING	1	PA10T	
④	SHELL	1	BRASS	Ni-Plating
③	CONTACT 3	1	PHOSPHOR BRONZE	Au+Ni-Plating
②	CONTACT 2	1	PHOSPHOR BRONZE	Au+Ni-Plating
①	CONTACT 1	1	PHOSPHOR BRONZE	Au+Ni-Plating



东莞市高迪电子有限公司
Dong Guan KDRR Electronic Switch Jack Co., Ltd.

TOLERANCE UNLESS OTHERWISE STATED :
Up to 5 ±0.2
Above 5 ~ 15 ±0.3
Above 15 ~ 30 ±0.4
Above 30 ~ 50 ±0.5
Angle ±0.3

3RD. ANGEL'S

UNITS MM

DRAWN BY:	DATE	MAT'L	TITLE	JACK
Jack Lu	10/31/19			
CHECKED BY:	DATE	FINISH	MODLE	DC JACK
Jacky Chen	10/31/19			
APPROVED BY:	DATE	SCALE	DWG NO.	DC-D3021VH-0.6-S214
Tony Kao	10/31/19	1 : 1		
		SHEET NO.	PART NO.	DC-D3021VH-0.6-S214
		1 of 1		

ITEM NO.	DESCRIPTION	DRAWN	DATE